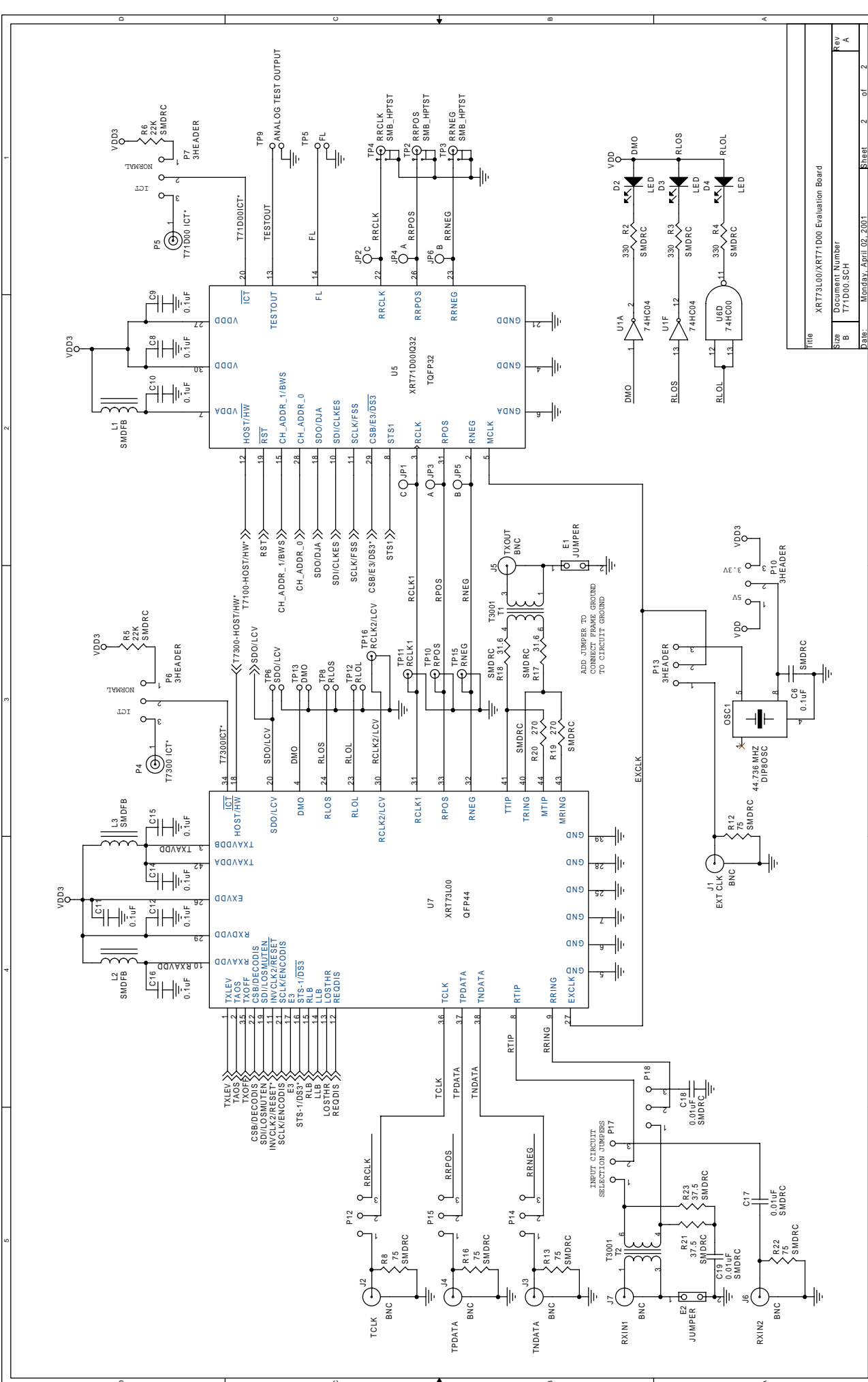


Title		XRT7300/RT7100 Evaluation Board	
S28	Document Number	CONTROL SCH	
B	Rev	A	
Date:	Monday, April 02, 2001	Sheet	1 of 2



Title		XRT73L00/XRT71D00 Evaluation Board	
S28	Document Number	T71D00.SCH	
Date:	Monday, April 02, 2001	Sheet	2 of 2
Rev	A		